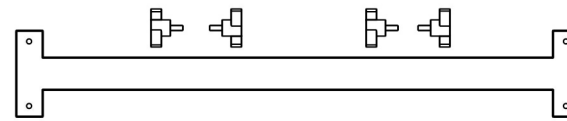


EXTERNAL SHELF

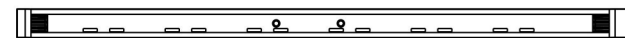


Packing Details

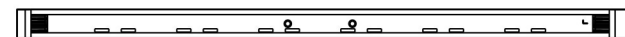
Name	Item No.	Size (CM)	Packing (PC/CTN)	Ctn Size (CM)	Meas. (CBM)	G.W. (KGS)
Shelf Kit 1 (1 shelf)	A111253143	Shelf 67×25×3	1	82×32×9	0.024	4.2
Shelf Kit 2 (2 shelves)	A111253153	Shelf 67×25×3	2	82×32×15	0.039	5.4



Fixture bracket part A X1



Fixture bracket part B X1



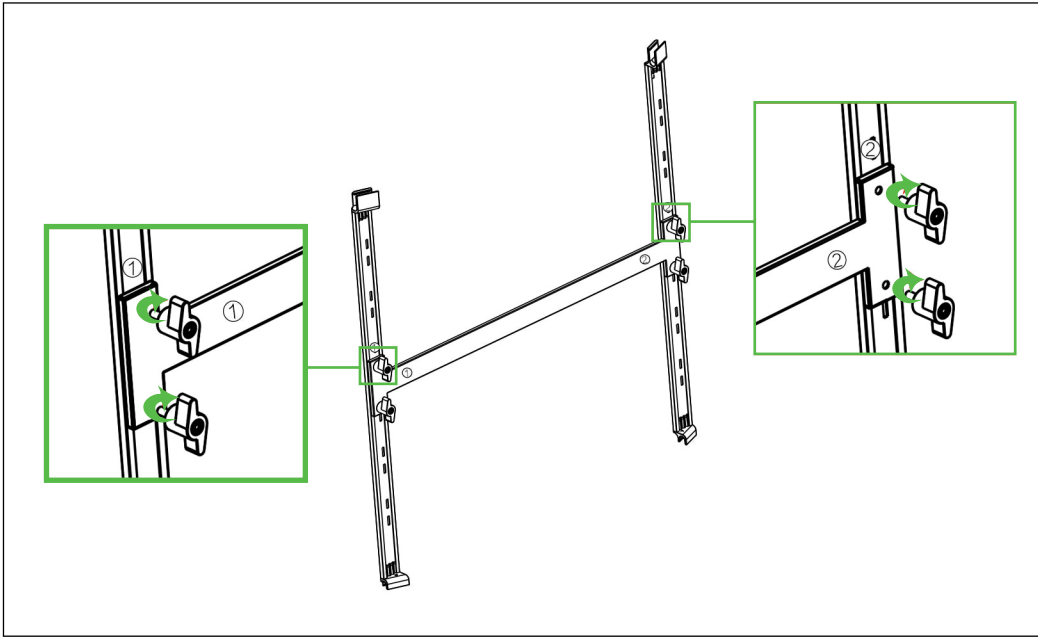
Fixture bracket part C X1



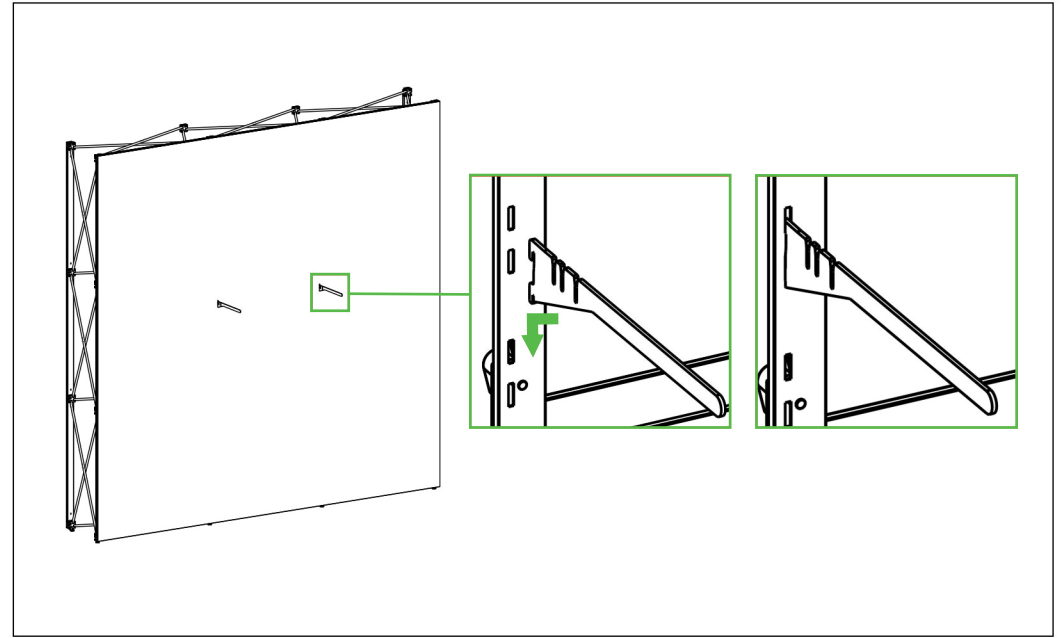
Shelf 1 or 2



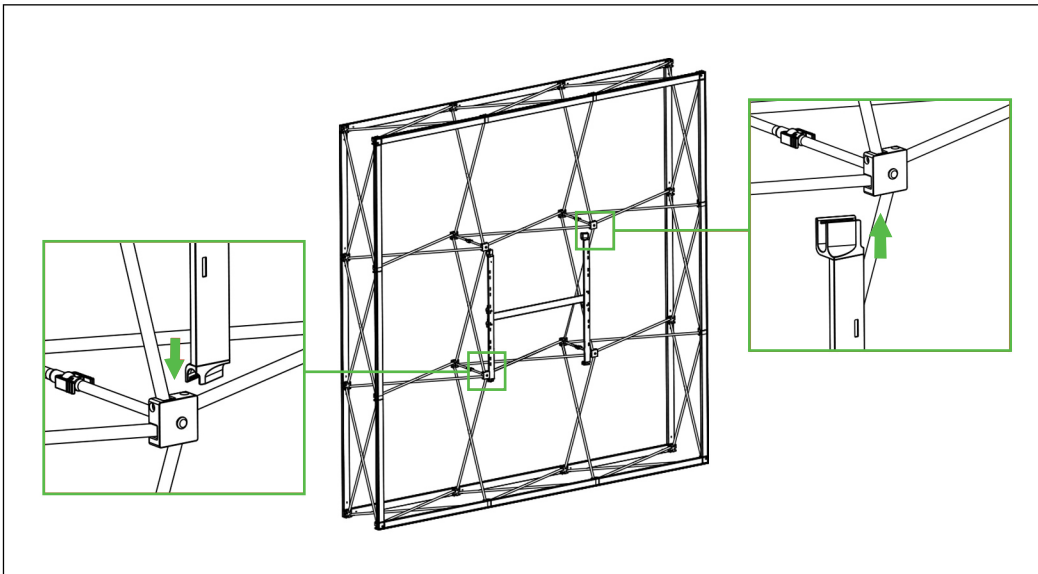
Mounting plate 1 or 2



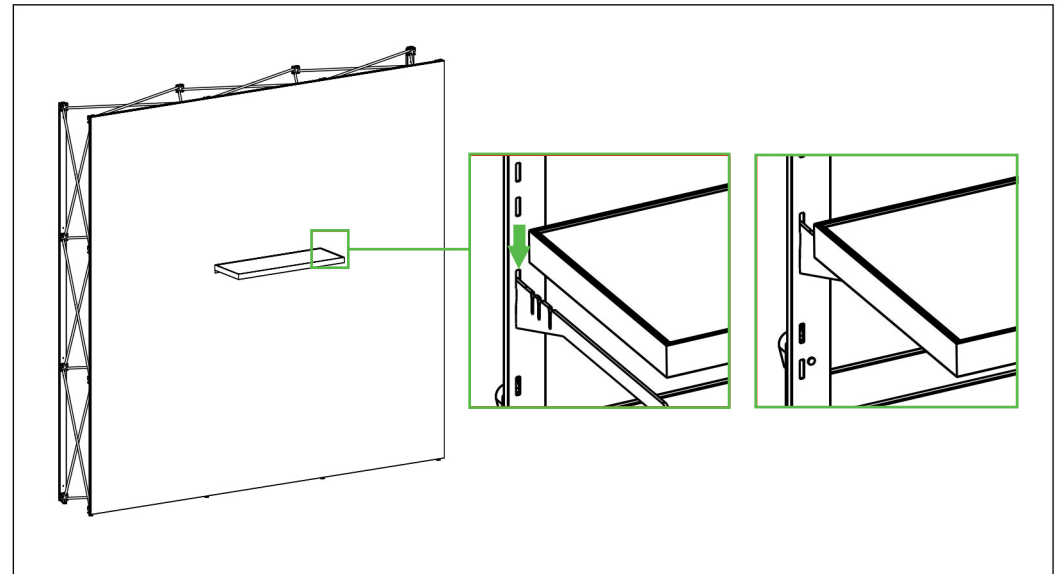
Step1



Step3



Step2



Step4